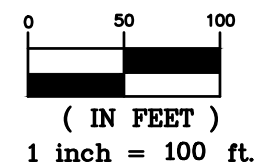




PLAN VIEW

GRAPHIC SCALE



- PHOTO OF CONCRETE HEADWALL AT BOARDWALK BRIDGE.
- THERE ARE TWO HEADWALLS. EACH HAVE WASH OUT AT THE BASE.
 - EACH BASE SHALL HAVE RIP PLACED FOR A MINIMUM AREA OF 12' WIDE AND 12' LONG.
 - RIPRAP SHALL BE 6" X 9" SIZE.
 - THE RIPRAP SHALL BE EXTENDED TO THE DIMENSIONS OF THE UNPROTECTED SCOUR AREA.
 - FILL SCOUR AREA WITH RIPRAP UNTIL THE RIPRAP LEVEL MATCHES THE UPPER NORMAL GRADE ELEVATION ALONG THE SCOUR EDGES.

INDEX

- SHEET 1 PLAN VIEW, NOTES AND PHOTO
 SHEET 2 SECTION VIEW AND SIDE VIEW OF BOARDWALK

DON BAKER ENGINEERING LLC
 89 GRANDWATER DRIVE
 SUWANEE, GEORGIA 30024
 PHONE: (770) 403-4527

DATE	NO.	REVISION DESCRIPTION
9/26/2022	1	BOARDWALK PLAN COMPLETED

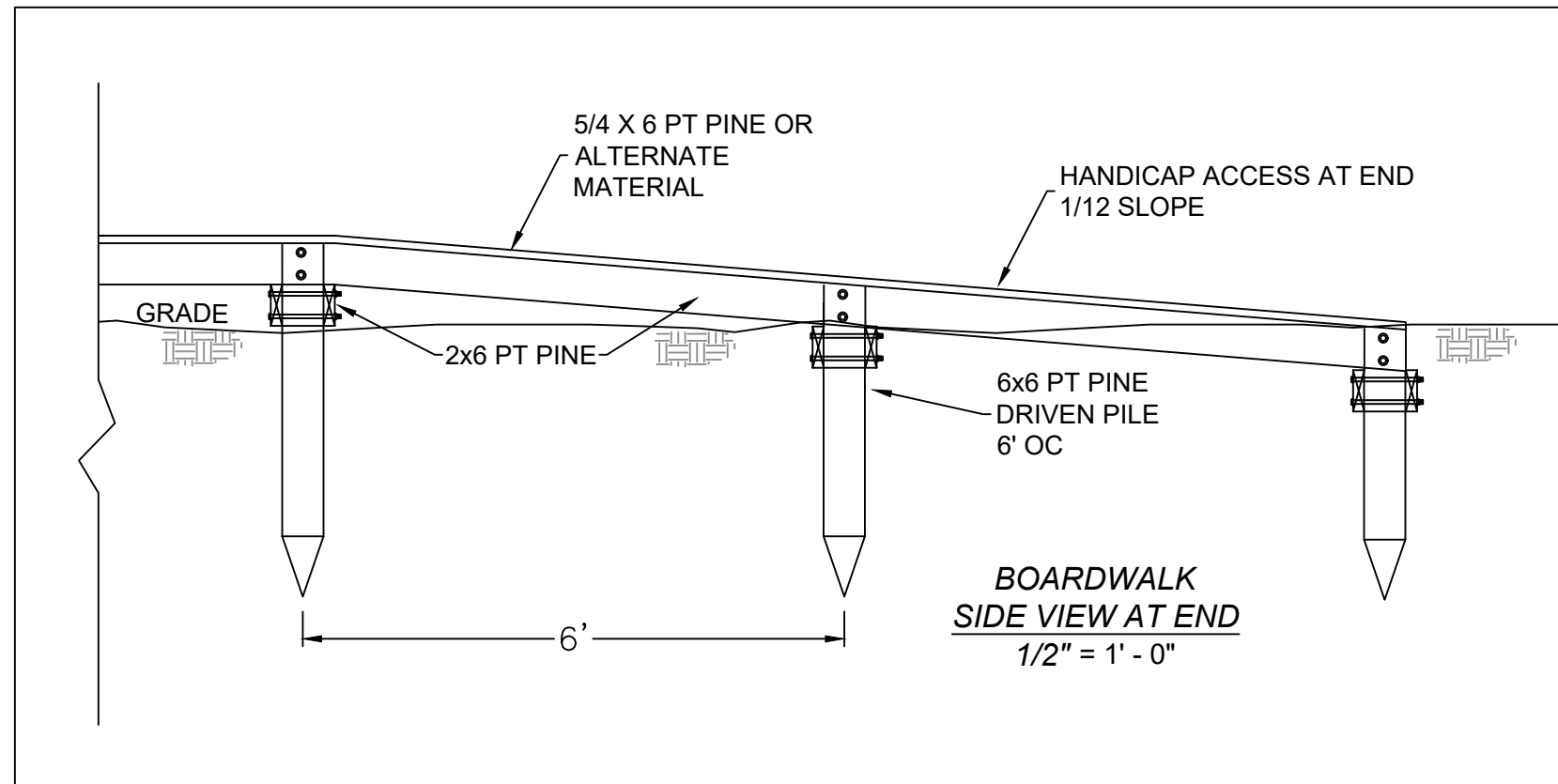
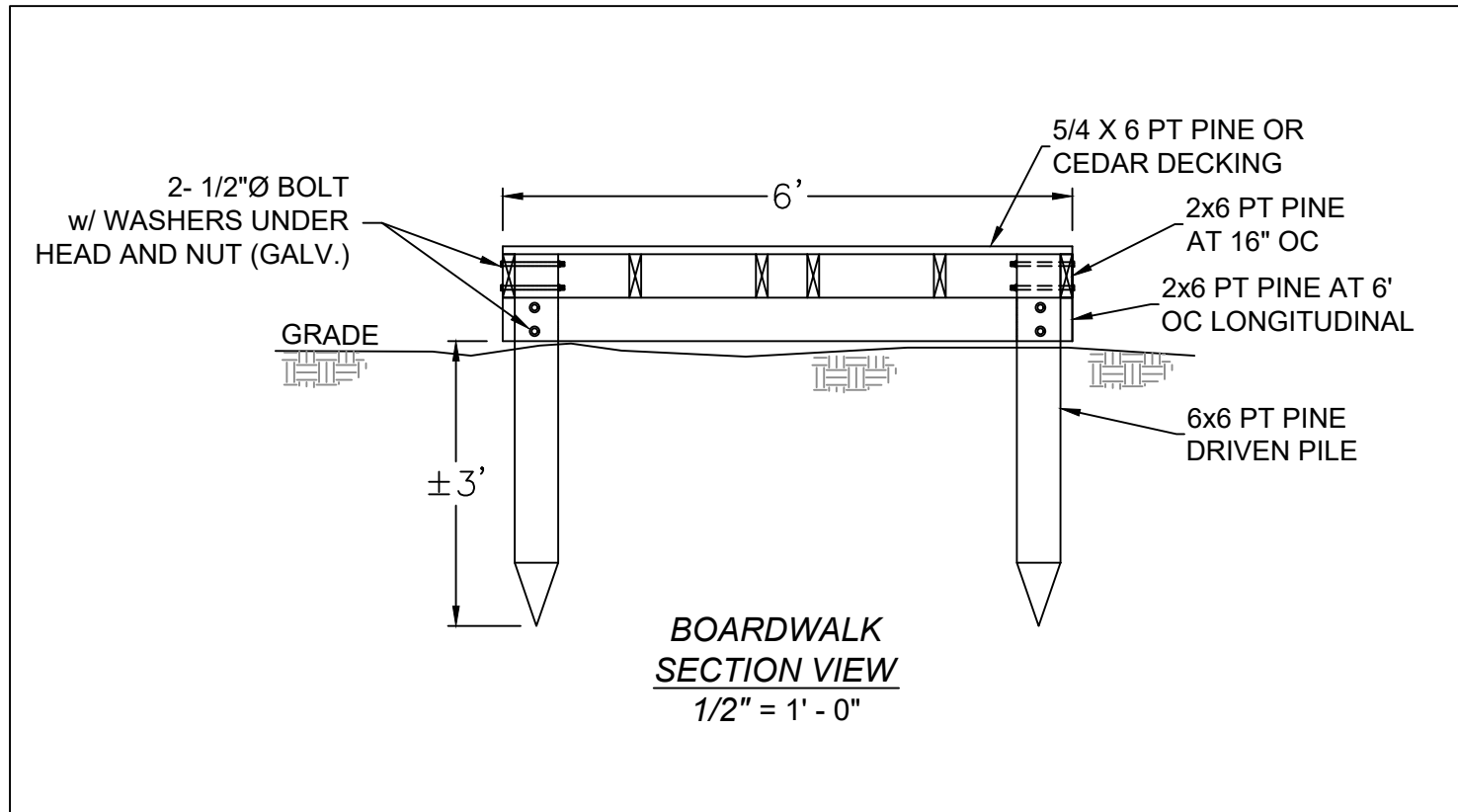
**BOARDWALK FOR
 MURPHY RIVERWALK
 MURPHY, NC
 PROJECT**

**SHEET
 NO.
 1 of 2**

JOB NO.:

GENERAL NOTES:

1. ALL MATERIALS FOR BOARDWALK CONSTRUCTION SHALL BE NEW.
2. STAY IN PLACE METAL FORMS SHALL BE ATTACHED TO LONGITUDINAL TIMBER JOISTS USING AN APPROVED METHOD.
3. ALL HARDWARE (NUTS, WASHERS, BOLTS, NAILS, ETC.) SHALL BE HOT DIPPED GALVANIZED PER ASTM A154.
4. FOUNDATION SHALL CONSIST OF DRIVEN PILES. AS AN OPTION OWNER MAY USE 6 X 6 POST EMBEDDED IN CONCRETE.
5. BOARDWALK TO HAVE HANDICAP ACCESS AT BOARDWALK AND EARTH CONNECTION.
6. BOARDWALK SHALL CONNECT TO THE EXISTING WOODEN PEDESTRIAN BRIDGE AT THE LOCATION SHOWN ON SHEET 1.
7. BOARDWALK MATERIALS FOR STRUCTURE ARE SHOWN AS PT PINE. OWNER MAY SELECT ANY ALTERNATE MATERIAL.



DON BAKER ENGINEERING LLC
89 GRANDWATER DRIVE
SUWANEE, GEORGIA 30024
PHONE: (770) 403-4527

DATE	NO.	REVISION DESCRIPTION
9/26/2022	1	BOARDWALK PLAN COMPLETED

JOB NO.:

**BOARDWALK FOR
MURPHY RIVERWALK
MURPHY, NC
PROJECT**

**SHEET
NO.
2 of 2**